



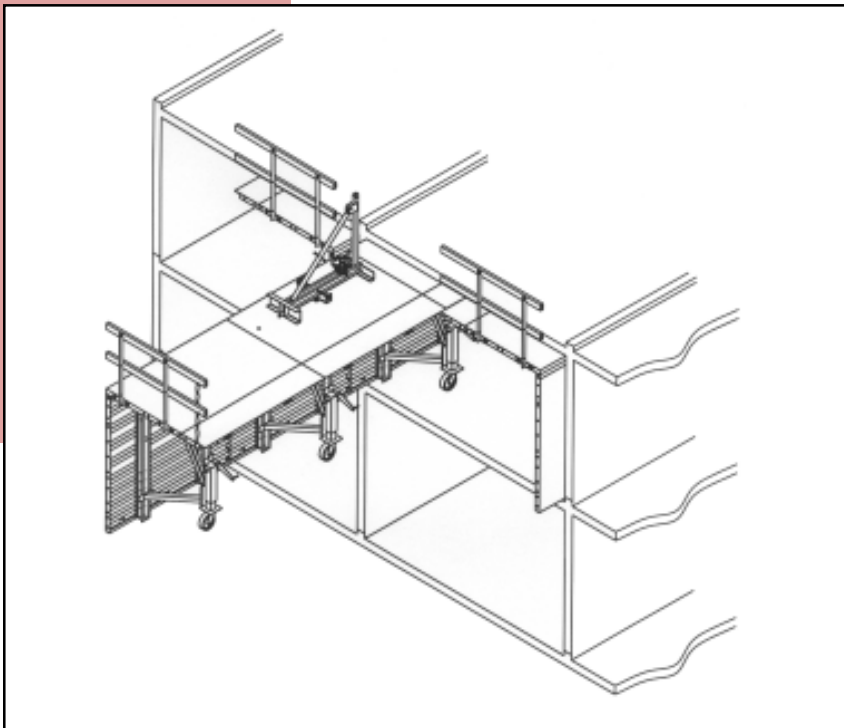
## Room Tunnel Forming System

# Why Room Tunnel Forming?



Room Tunnel forming offers the highest productivity for poured-in-place construction of repetitive concrete rooms for:

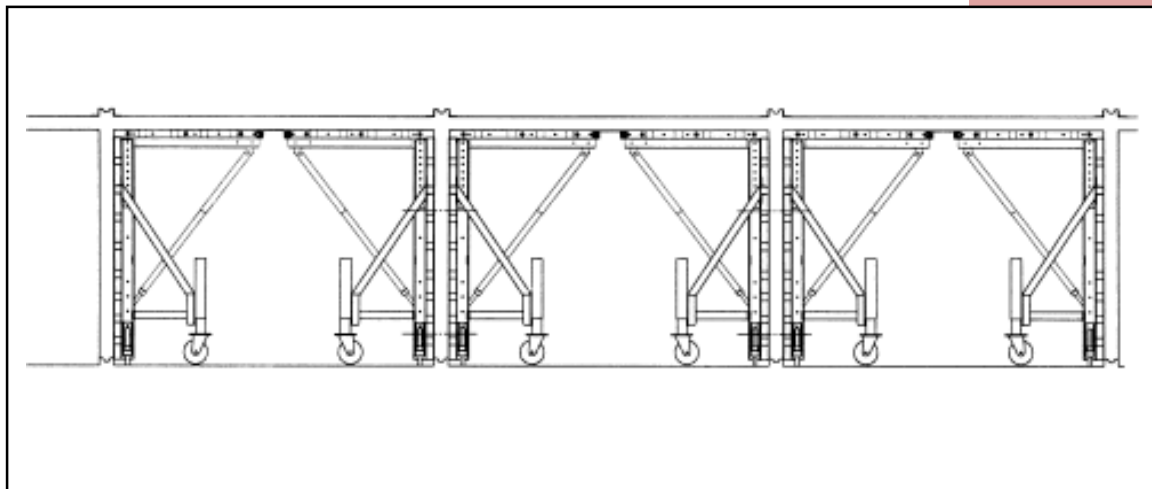
- Hotels
- Condominiums
- Apartments
- Townhouses
- Hospitals
- Mini-Storage
- Prisons
- Office Buildings
- Low Cost Housing
- Assisted Living Facilities



# Symons Room Tunnel Form

With over 30 years in the design and fabrication of specialized steel forming systems, Symons can provide a system detailed to your exact requirements.

An extensive network of Symons Specialists, District warehouses and Distributors assures you prompt service and personal attention to your concrete forming requirements.



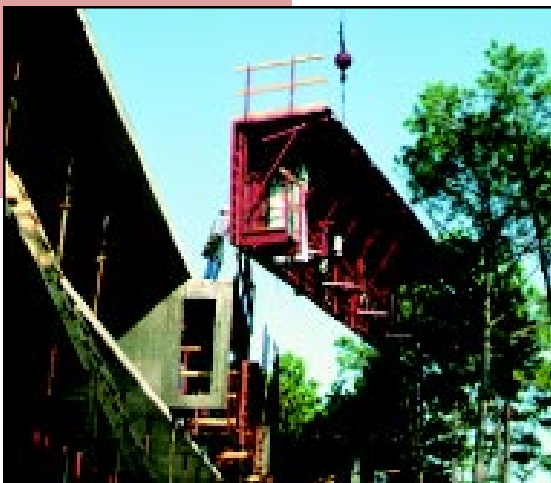
# Typical Sequence



Symons Room Tunnel Form is furnished complete with heaters and tarps to facilitate overnight curing.



Stripping can begin the following morning. All connections are designed for easy and quick operation.



Single pick point allows stripping complete half-sections and moving to the next pour location.

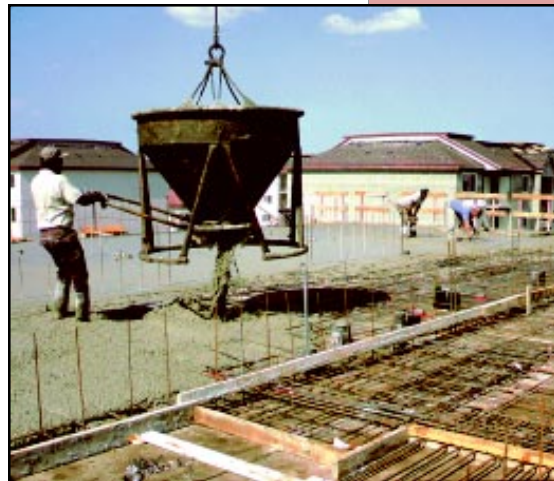
Form sections are then positioned and reset for the next pour. The Symons knee brace cam and overhead latch bars make this a fast and simple operation.



The design of Symons Room Tunnel Form allows other trades working above to install rebar, blockouts and utilities.



In a few hours the forms are ready for the next pour. Pouring every day is routine, resulting in high productivity with minimum labor.

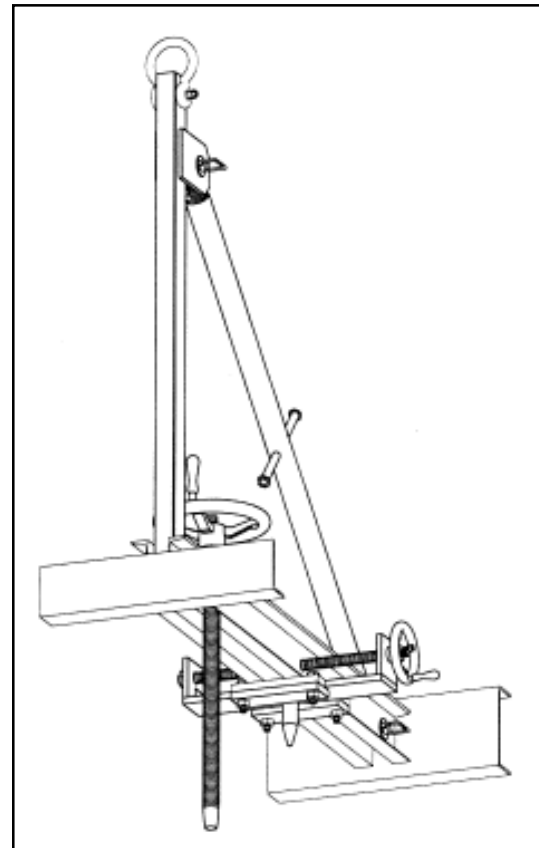


# Features



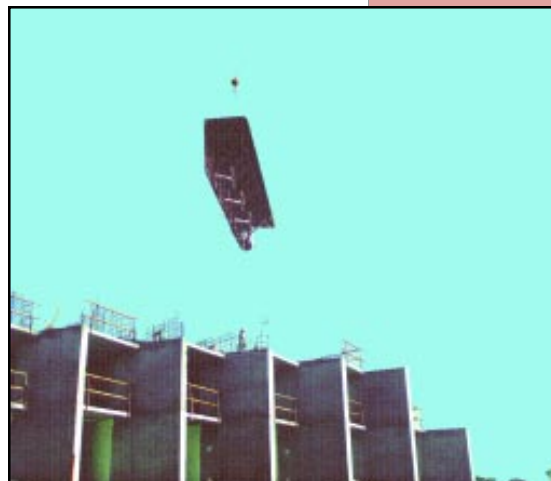
Symons Room Tunnel form incorporates unique features for increased productivity.

- Made in the USA
- Magnetic hold downs for slab edge pours and blockouts
- 3/16" steel face produces a smooth finish
- All steel heavy-duty fabrication
- Unique, adjustable lifting assembly ensures a balanced lift for sections up to 48'-0" long



Symons Room Tunnel form offers the benefits of lower cost, less labor and high productivity.

- Provides monolithic concrete structure
- Faster completion reduces interim costs, accelerates revenue flow
- Reduces masonry and drywall requirements
- Modular design provides dimensional versatility
- High productivity, predictable completion
- Less labor & less finishing = More Profit
- Reduces reshoring requirements
- Readily available replacement parts
- Lease packages available for most domestic projects



**Adjustable Column** — Form square and rectangular columns efficiently with a minimum number of steel panels.

**Aluminum Beams and Joists** — Lightweight beams and joists from 4' to 30' (122cm to 914cm) for deck or gangform applications.

**Box Culvert Traveler** — Rolling steel framework is compatible with Steel-Ply, Versiform and Max-A-Form.

**Chemicals** — Liquid, cement, epoxy and polymer systems for the construction and repair of concrete structures.

**Flex-Form®** — The specially designed steel-faced system for forming curved walls and round tanks with no surface "chording".

**Form Liner** — More than 30 standard patterns, in four different materials, create unique concrete textures.

**Garage Beam System** — A complete system designed to provide an economical, poured-in-place concrete parking garage.

**Max-A-Form®** — A durable, all-steel forming system that requires no walers. Ideal for bridge pier caps and plate girder applications.

**Resi-Ply™** — A low cost, 1<sup>1</sup>/<sub>8</sub>" (2.9cm) plywood forming system for residential construction. Available in 4-bar, 5-bar and 6-bar.

**Roller Deck** — Column mounted deck support system replaces conventional shoring, providing access for other trades.

**Room Tunnel** — One room per day, per form provides maximum forming productivity. Ideal for repetitive room designs, like hotels.

**Shoring Frames** — Provide 24,000 lb. (10,880kg) load capacity per frame with spacings from 3' to 15' (91.4cm to 457.2cm).

**Springform®** — Reusable fiberglass column for forming round columns with a smooth finish and a single vertical seam.

**Steel-Ply®** — The most popular modular system with more than 80 panel and filler sizes for handset or gangforming.

**Symons Soldier™** — The "next generation" construction beam that can be used as a brace, strongback, waler or shore.

**Street Smart™** — Equipment for residential curb and gutters, industrial slab forming and highway paving applications.

**Symons Silver™** — A lightweight aluminum system that makes residential forming operations very efficient and productive.

**Versiform®** — Steel frame/plywood face gangforming system that provides a smooth concrete finish.



SYMONS CORPORATION  
200 E. Touhy Avenue  
Des Plaines, IL 60018 USA  
847-298-3200 • FAX 847-635-9287  
<http://www.symons.com> • [info@symons.com](mailto:info@symons.com)



**Call 800-800-SYMONS**